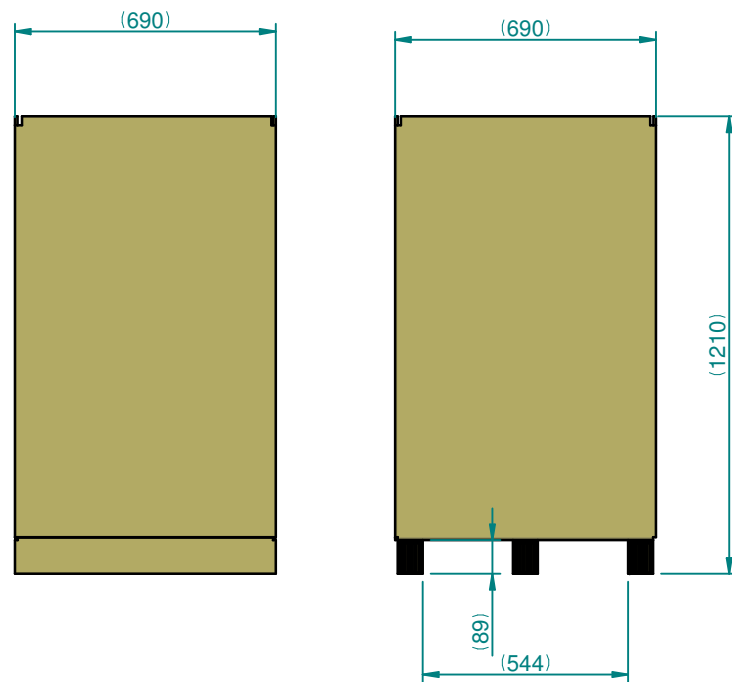
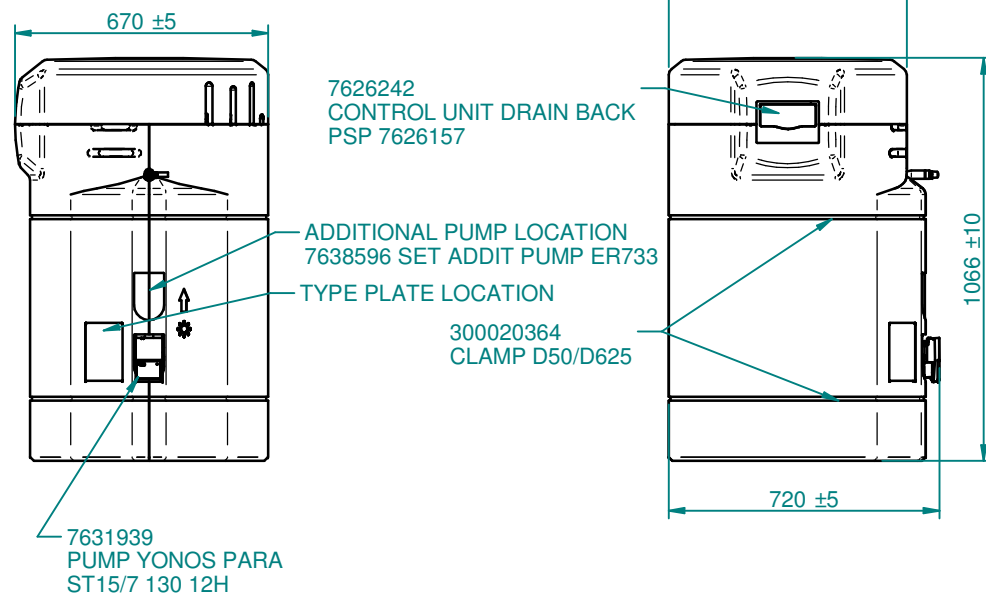


ALL COMPONENTS MUST COMPLY WITH THE EUROPEAN DIRECTIVE ON THE RESTRICTION OF THE USE OF CERTAIN HAZARDOUS SUBSTANCES (RoHS).
CHECK REVISION AND STATUS BEFORE USE.

PACKAGING VIEW

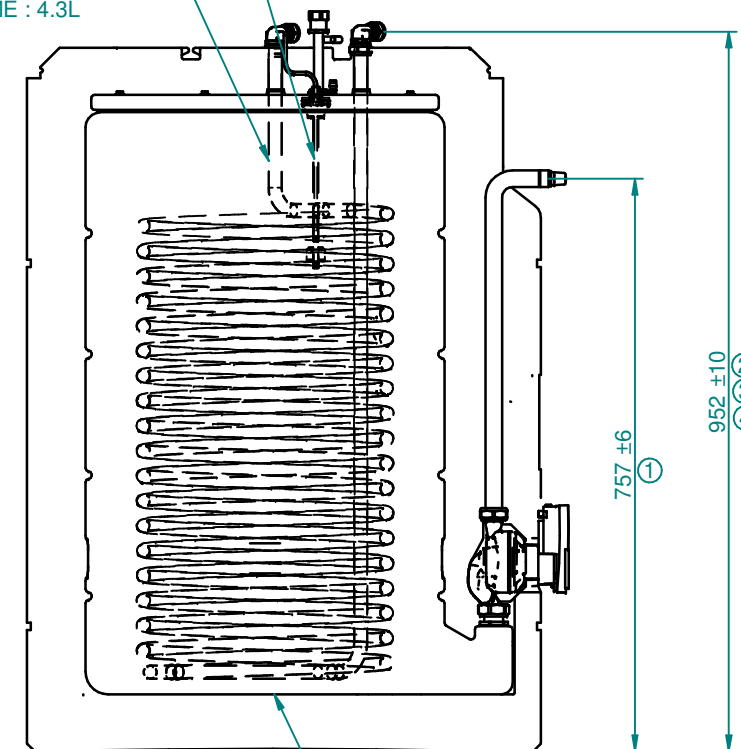


PRODUCT VIEW



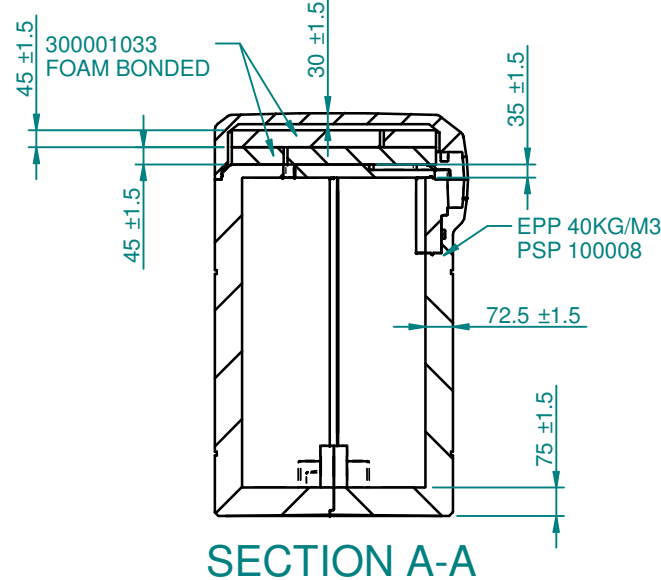
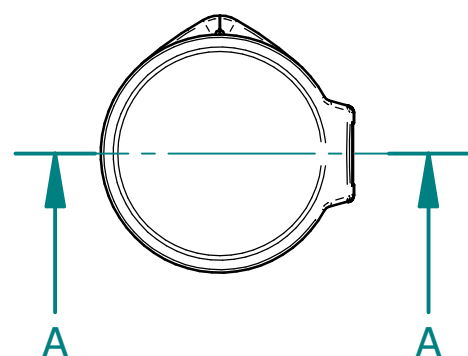
LEVEL SENSOR : 300020440

COIL :
- MATERIAL : COPPER
- VOLUME : 4.3L

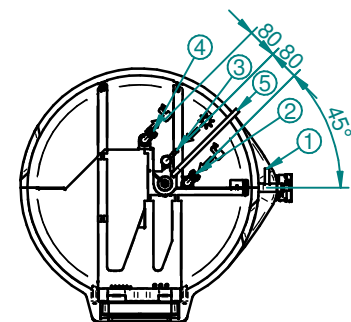
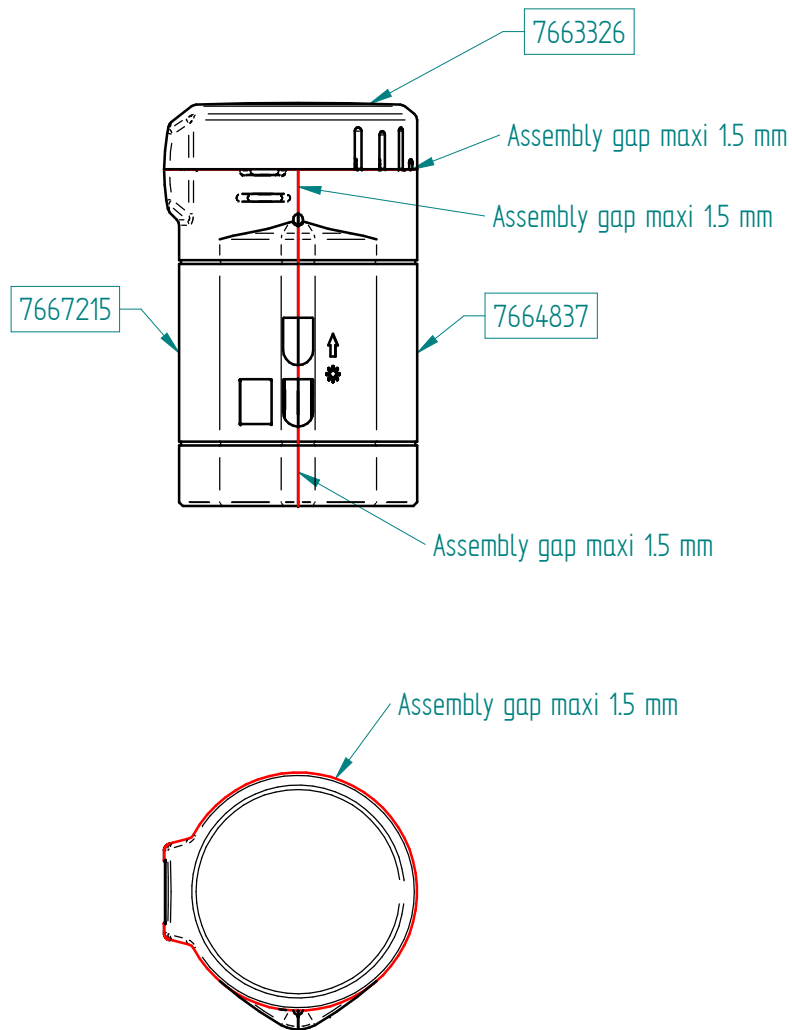


TANK :
- MATERIAL : PP
- EFFECTIVE VOLUME : 110L
- MAX. WORKING TEMP : 85°C

INSULATION



GENERAL APPEARANCE



1	OUTPUT SOLAR WATER	Copper ϕ 12
2	INPUT DOMESTIC COLD WATER	ELBOW QUICK CONN D18-D15 FOR COPPER PIPE ϕ 15
3	INPUT SOLAR WATER	Copper ϕ 8
4	OUTPUT DOMESTIC MIXED WATER	ELBOW QUICK CONN D18-D15 FOR COPPER PIPE ϕ 15
5	OUTPUT CONDENSATE	Flexible ϕ 8x12

FIRST DRAWING				Refers To
Change Description				
DIMENSION TOLERANCE TO ISO 14405		QUALITY SIGNIFICANCE: [C] DENOTES A CRITICAL DIMENSION. DEVIATION FROM THE SPECIFICATION MAY COMPROMISE THE SAFETY AND/OR THE FUNCTIONALITY OF THE FINISHED PRODUCT.		Tolerance: -
A3	Sheet No.: 1 of 1	First Angle Projection	Material specification: -	
Units : mm	Scale : 1:10		Creator: Lahaye, Timothee	Date of Issue: 12-Sep-2017
BDR THERMEA GROUP		Title: DRAINBACK ZENTASOL PLUS		
Release Status: Production		Work In Progress When Blank	Item Number : 7673628	Revision : 03

THE REPRODUCTION, DISTRIBUTION AND UTILIZATION OF THIS DOCUMENT AS WELL AS THE COMMUNICATION OF ITS CONTENTS TO OTHERS WITHOUT EXPRESS AUTHORIZATION IS PROHIBITED. OFFENDERS WILL BE HELD LIABLE FOR THE PAYMENT OF DAMAGE. ALL RIGHTS RESERVED IN THE EVENT OF THE GRANT OF A PATENT, UTILITY MODEL OR DESIGN.